

WAYS TO ACTIVATE THE SH-10 SHUTTER

(98-100454)

1. THE SH-10 WILL "OPEN" WHEN IT IS CONNECTED TO A DC POWER SUPPLY (SEE FIG. 1 AND TABLE 1)

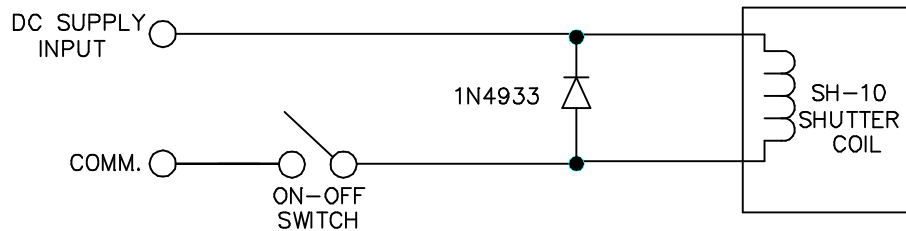


FIG. 1

SHUTTER TYPE	DC SUPPLY
SH-10-5	5V, 750mA
SH-10-12	12V, 300mA
SH-10-24	24V, 170mA

TABLE 1

2. THE POWER CONSUMPTION CAN BE REDUCED BY USING THE FOLLOWING "RC" CIRCUIT. (SEE FIG. 2 AND TABLE 2)

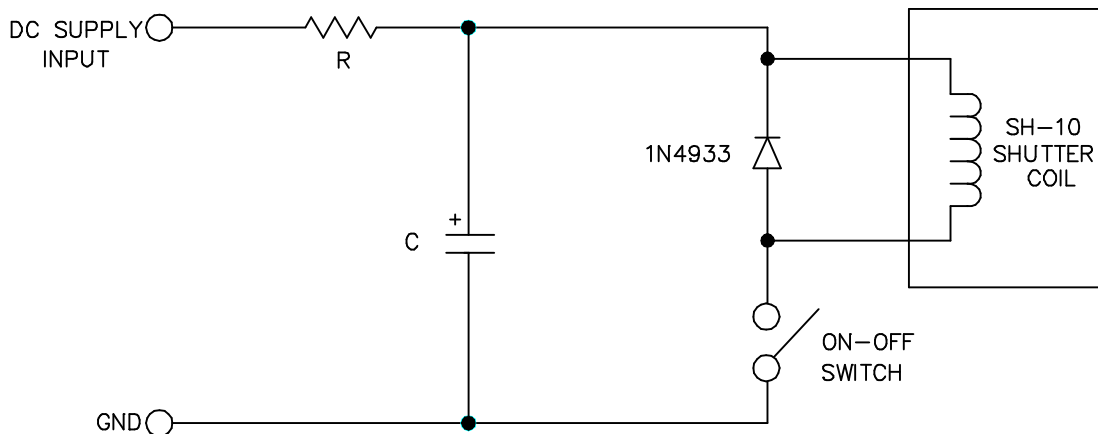


FIG. 2

SHUTTER TYPE	DC SUPPLY	R	C
SH-10-5	5V, 350mA	3.3Ω 2W	10,000 μF, 10V
SH-10-12	15V, 150mA	22Ω 2W	4,700 μF, 25V
SH-10-24	24V, 85mA	75Ω 2W	2,200 μF, 35V

TABLE 2

3. TO CONTROL THE SHUTTER WITH A TTL INPUT SIGNAL, AND NOT BY THE ON-OFF SWITCH, THE FOLLOWING DRIVE CIRCUIT IS ADVISED (TO "OPEN" OR "CLOSE" THE SHUTTER). CONNECT THE POWER SUPPLY TO "DC SUPPLY INPUT AND "COMMON". CONNECT THE TTL SIGNAL TO "INPUT" AND "COMMON". (SEE FIG. 3 AND TABLE 3)

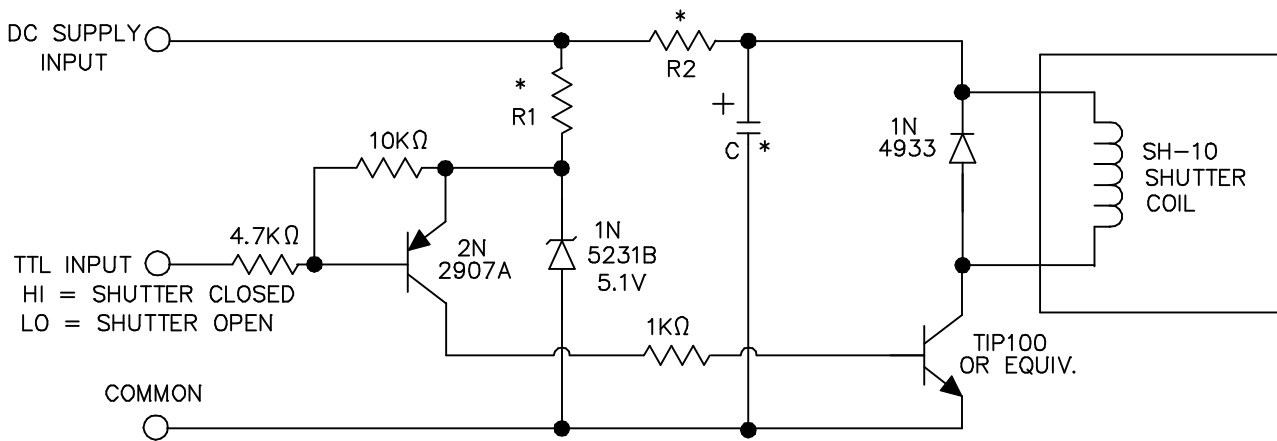


FIG. 3

SHUTTER TYPE	DC SUPPLY	R1	R2	C
SH-10-5	6V 450mA	300 Ω 1/4W	3.3 Ω 2W	10,000 μF 10V
SH-10-12	15V 200mA	1K Ω 1/4W	22 Ω 2W	4,700 μF 25V
SH-10-24	24V 100mA	3.3K Ω 1/4W	75 Ω 2W	2,200 μF 35V

TABLE 3